

STA Series

Refrigerator Lighting



28W

Features

- Double-strip V shape for a brighter display case.
- Universal Line Voltage (100-277VAC).
- Built-in driver.
- Daisy-chain installation (up to 200 watts in a series).
- Efficiency up to 130 lumens per watt.

Input Voltage

- 100-277Vac 50/60Hz

Advantages

- Qualifies for rebate program with most major power companies in the US.
- 85% energy savings and no heat produced.
- No mercury / food safe.
- Improved visual appearance.
- 50,000 hour life span.

Recommended Use

- Food Plants / Dairy Plants / Pharmaceutical Plants
- Supermarkets / Hospitals / Various Freezers
- Cold Storage & Other places for fixed lighting.



STA Series

Refrigerator Lighting

STA Series Cooler Lights	
SKU #	101790
MODEL #	101790
CONSUMPTION	28W
LUMEN	3000Lm
LED QUANTITY	216 PCS

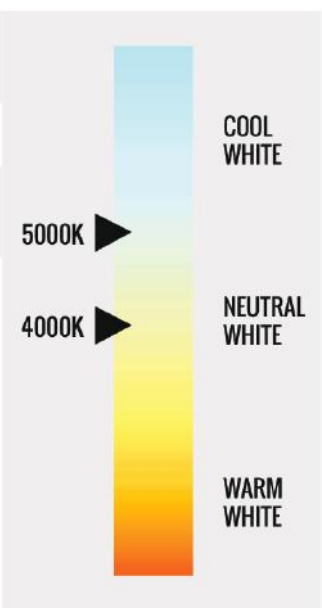
Specifications

COLOR TEMPERATURE	5000K
BEAM ANGLE	180°
INPUT VOLTAGE	AC110 - 277Vac
FREQUENCY	50/60Hz
POWER FACTOR	~0.92

Fixture Specifications

HOUSING	Aluminum and High Strength PC
HOUSING COLOR	White
PC LENS	Clear

CORRELATED
COLOR TEMPERATURE
(CCT)



Others

OPERATING TEMPERATURE	APPLICATION	CRI	DIMMABLE
-4°F TO 104°F	Refrigerator	>80	No

Warranty & Qualification

WARRANTY	ETL	DLC
5 Year Limited	Yes	Yes



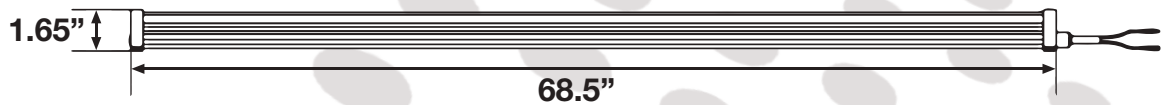
Due to continuous product improvement, information in this document is subject to change.

1939 Parker Ct, Stone Mountain, GA 30087 | Phone: (866) 786-1117 | www.beyondledtechnology.com

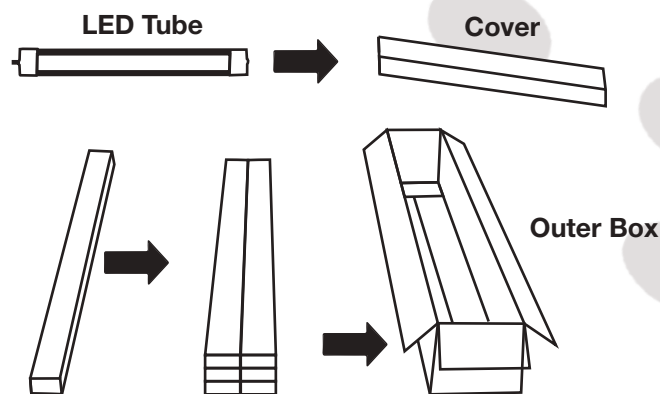
STA Series

Refrigerator Lighting

Drawing



BOX TYPE	WATTAGE	SIZE	QTY / CARTON	WEIGHT / CARTON
Single Box	28W	81" x 8" x 8"	20	44 lbs



Notice For User

- Please turn off power before install or change assembly parts.
- The input voltage and lamps should be matched, after connecting the power line, Please make sure the wiring section is insulated
- Licensed Electrician Installation ONLY.
- DAISY-CHAIN NO MORE THAN 200W



STA Series

Refrigerator Lighting

Installation

1. Disconnect Power From Cooler System.

For safety, all power MUST be disconnected prior to removal of existing lamps and installation of LED Cooler Light.

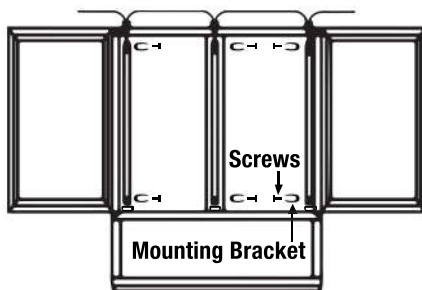
WARNING: Failure to disconnect power could result in serious injury or death. It is the end user's responsibility to consult a licensed electrician and check all local building codes before installation.

2. Remove Existing Lamps

Remove lamp covers if present and remove lamps. Your new cooler lights are shatter-proof; you will no longer require lamp covers.

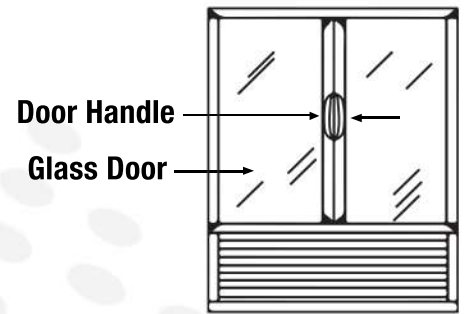
3. Disconnect Ballast

Disconnect wiring from power source. Ballast removal is optional. Disconnect wiring to original lamp sockets and tie off. None of the existing systems will be used, so removal is optional.

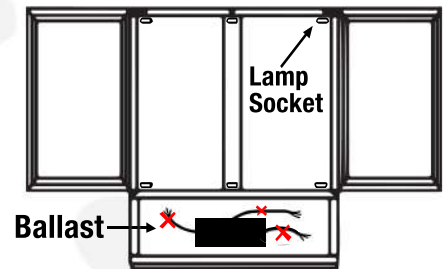
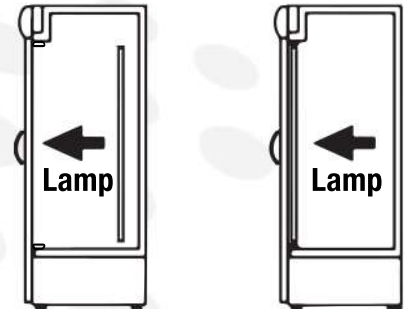


4. Install Brackets

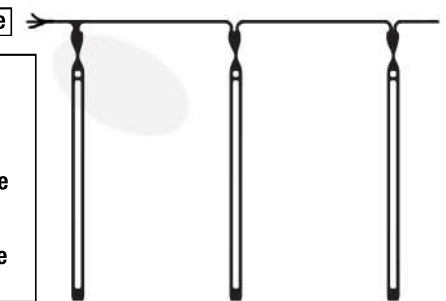
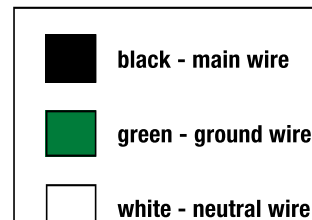
Use self-tapping screws to mount the brackets. In some cases drilling a pilot hole will make the installation easier. Each mounting bracket can be placed inside of the existing sockets (tombstones).



Front



Power Source



5. Connecting to Power and Connecting Lights in a Series

Connect first cable to the power source. Expose 3 wires to connect. See legend above for connection. Connect the male/female ends of each light. (Do not exceed 200W).



Due to continuous product improvement, information in this document is subject to change.

1939 Parker Ct, Stone Mountain, GA 30087 | Phone: (866) 786-1117 | www.beyondledtechnology.com