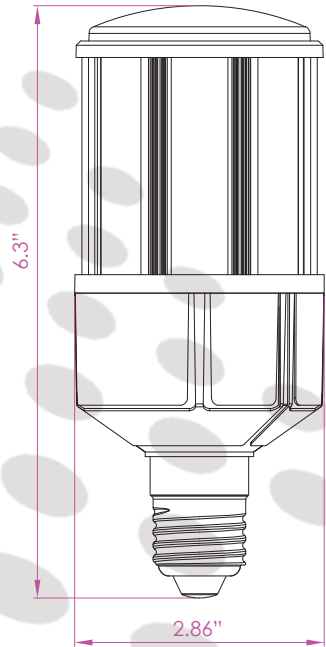


# HD FPB Series

Indoor / Outdoor Lighting



15W



## Features

- UL listed for enclosed fixture
- IP64 Waterproof Rating
- Efficiency over 135 lumens per watt
- 360° Beam Angle
- Long lifespan and good heat dissipation
- No fixture to replace, easy installation
- Fits many different fixtures to replace traditional lamps

## Recommended Use

- Security / Post Lights
- Streets / Parking Lots
- Outdoor Basketball / Tennis Courts
- Football Field / School Playground, Stadium

## Advantage

- E26/E27 lamp base for higher wattage.
- Internal driver, input voltage 100-277Vac.
- New style and high efficient wide-range input.
- Direct replacement for Metal Halide, Easy Installation.
- Fits many different fixtures to replace traditional lamps.
- Big heat sink with a SUNON fan.

## Input Voltage

- 100-277Vac 50/60Hz

## Qualification



# HD FPB Series

Indoor / Outdoor Lighting

HD FPB Series Corn Bulbs	
SKU #	108647
MODEL #	108647
CONSUMPTION	15W
LUMEN	2020lm

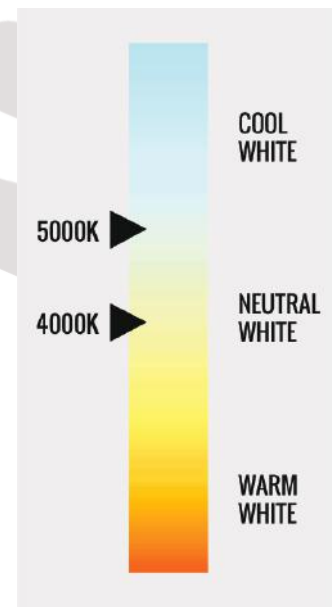
## Specifications

COLOR TEMPERATURE	5700K
VIEWING ANGLE	360°
INPUT VOLTAGE	AC 100-277V, 50 - 60Hz
POWER FACTOR	>0.9
BASE TYPE	E26 / E27
WATERPROOF RATING	IP64
LED QUANTITY	120 PCS

## Fixture Specifications

LED BRAND	EPISTAR
HOUSING	PC+AL (Fin)
HOUSING COLOR	White+Grey

CORRELATED  
COLOR TEMPERATURE  
(CCT)



## Others

OPERATING TEMPERATURE	APPLICATION	CRI	BEAM ANGLE	DIMMABLE
-20°C TO 45°C	Indoor / Outdoor	>70	90° - 150°	No

## Warranty & Qualification

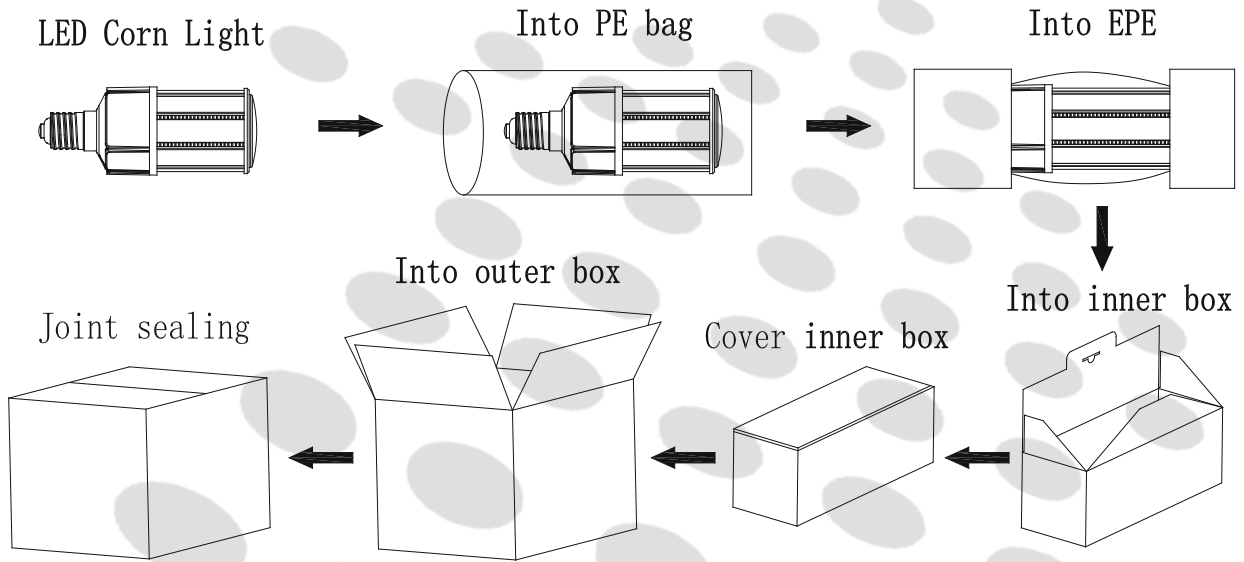
WARRANTY	UL LISTED	DLC
5-Year Limited	Yes	No

Due to continuous product improvement, information in this document is subject to change.  
 Revision Date: 01/17/2019  
 1939 Parker Ct Suite C Stone Mountain, GA 30087 | Phone: (866) 786-1117 |  
[www.beyondledtechnology.com](http://www.beyondledtechnology.com)

# HD FPB Series

## Indoor / Outdoor Lighting

### Package

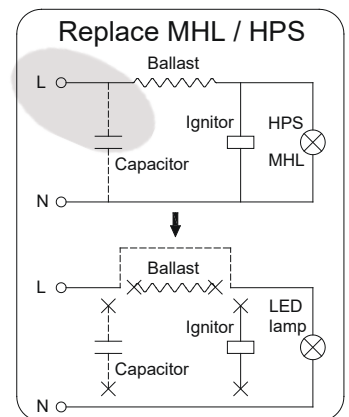
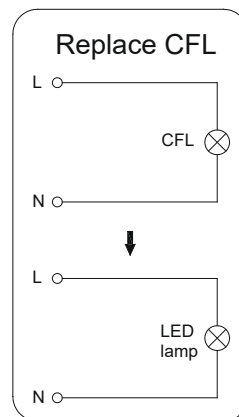


BOX TYPE	WATTAGE	SIZE	QTY / CARTON	WEIGHT / CARTON
Inner Box	16W	3.7" x 3.7" x 9.1"	1	1 lbs
Outer Box	16W	8.75" x 8.75" x 3.25"	12	10.5 lbs

- Please turn off power before install or change assembly parts.
- The input voltage and lamps should be matched, after connecting the power line, please make sure the wiring section is insulated.
- Make sure to remove or bypass the ballast in the fixtures before install the lamps.
- Suitable for damp locations. Do not use with dimmers.
- Suitable for use in enclosed luminaires, min. lamp compartment dimensions: 13.4" x 7.9" x 7.9" Inches
- No-professionals, must not install and disassemble the lamps.

### Notice For User

- Please turn off power before install or change assembly parts.
- The input voltage and lamps should be matched, after connecting the power line, Please make sure the wiring section is insulated
- Licensed Electrician Installation ONLY.



# HD FL Series

Indoor / Outdoor Lighting

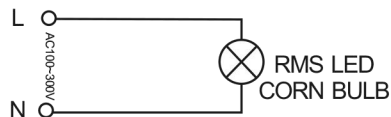
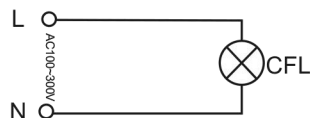
## Installation Guide

For safety, all power MUST be disconnected prior to removal of existing lamps and installation of LED Corn Bulb.

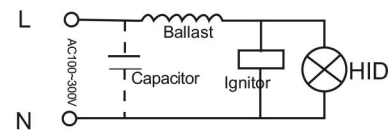
**WARNING:** Failure to disconnect power could result in serious injury or death. It is the end user's responsibility to consult a licensed electrician and check all local building codes before installation. Risk of fire. Fixtures are rated for use in 100-277Vac, 50-60HZ. Protected circuit and 90°C rated supply Risk of cut. The enclosed product may have sharp edges. Wear gloves to prevent cuts when handling, removing, installing, and maintaining.



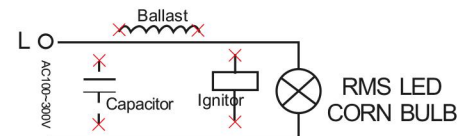
### Replace CFL



### Replace HID



### Inductive Ballast



Due to continuous product improvement, information in this document is subject to change.

Revision Date: 01/16/2019

1939 Parker Ct Suite C Stone Mountain, GA 30087 | Phone: (866) 786-1117 |

[www.beyondledtechnology.com](http://www.beyondledtechnology.com)

# HD FPB Series

## Indoor / Outdoor Lighting

### Light Distribution Testing Parameters

DATA OF LAMP		PHOTOMETRIC DATA    Eff: 137.94 lm/W			
MODEL	108647	I <sub>max</sub> (cd)	242.4	S/MH (C0/180)	2.10
NOMINAL POWER (W)	15	LOR (%)	100.0	S/MH (C90/270)	2.09
RATED VOLTAGE (V)	120	TOTAL FLUX (lm)	2034.5	η UP, DN (C0-180)	19.5, 30.2
NOMINAL FLUX (lm)	2034.45	CIE CLASS	SEMI-D.	η UP, DN (C180-360)	19.9, 30.5
LAMPS INSIDE	1	η up (%)	39.3	CIBSE SHR NOM	2.00
TEST VOLTAGE (V)	120	η down (%)	60.7	CIBSE SHR MAX	0.00

