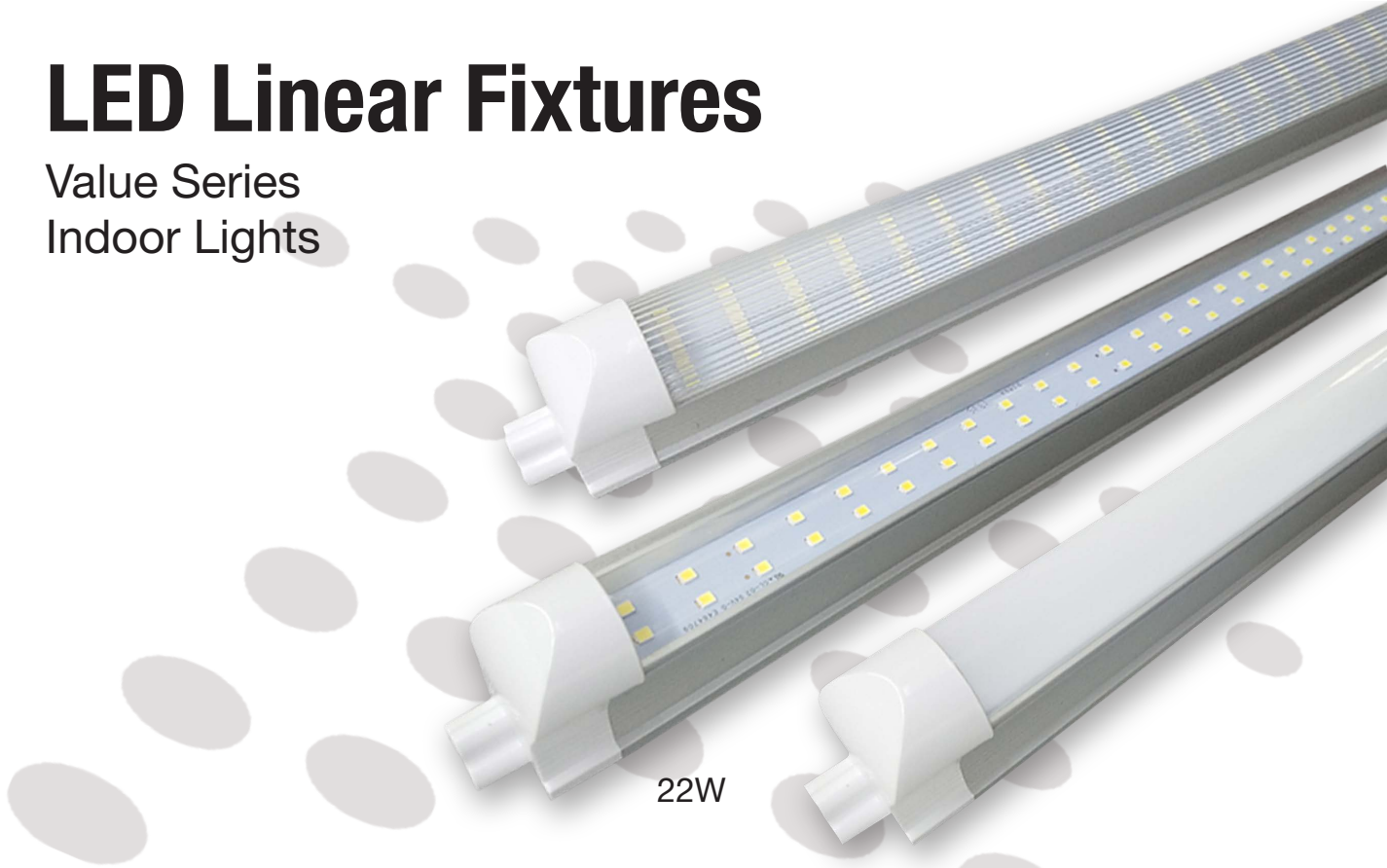


# LED Linear Fixtures

Value Series  
Indoor Lights



22W

## Features

- Reduce operational costs
- Lower maintenance costs
- Power factor 0.9
- Beam Angle: 120°
- Efficiency up to 135 lumens per watt
- Direct power with internal driver
- Aluminum housing with PC cover

## Recommended Use

- Offices / Stores
- Work Stations / Warehouse
- Schools / Hall Ways
- Boardrooms / Game Rooms
- Homes

## Advantage

- No UV or IR in the beam
- Easy to install and operate
- Energy saving, long lifespan
- Light is soft and uniform, safe to eyes
- Instant start, NO flickering, NO humming
- Green and eco-friendly without mercury

## Input Voltage

- 100-277Vac 50/60Hz

## Qualification



# LED Linear Fixtures

Value Series  
Indoor Lights

## Product

<b>PRODUCT NAME</b>	LED Linear Fixtures	
<b>SKU # TYPE #</b>	109991 / Clear	110007 / Striped
<b>MODEL #</b>	109991	110007
<b>CCT OPTIONS</b>	6500K	6500K

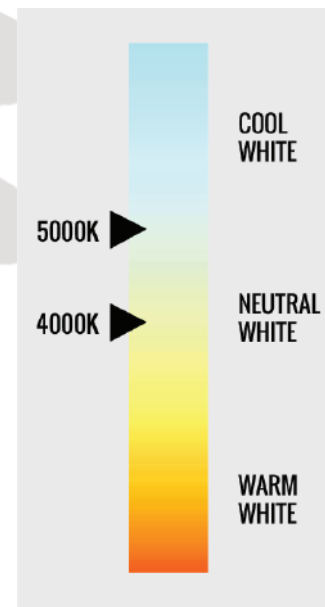
## Specifications

<b>LUMEN</b>	3000LM
<b>CONSUMPTION</b>	22W
<b>VIEWING ANGLE</b>	120°
<b>INPUT VOLTAGE</b>	100-277Vac 50/60Hz
<b>POWER FACTOR</b>	0.9

## Fixture Specifications

<b>LED BRAND</b>	EPISTAR
<b>LED TYPE</b>	2835 LED's
<b>HOUSING</b>	Aluminum
<b>COVER</b>	PC

CORRELATED  
COLOR TEMPERATURE  
(CCT)



## Others

CONNECTOR	APPLICATION	CRI	BEAM ANGLE	DIMMABLE
3 Pin Cable Provided	Indoor	83.5	120°	No

## Warranty & Qualification

WARRANTY	ETL	DLC
5-Year Limited	Yes	No

Due to continuous product improvement, information in this document is subject to change.

Revision Date: 01/15/2015

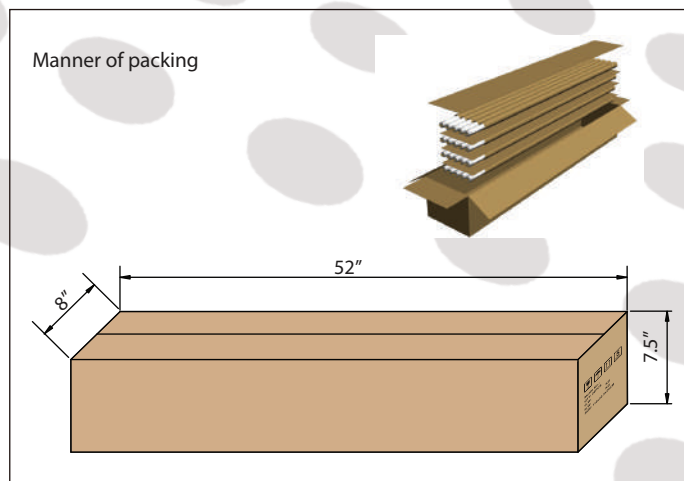
1939 Parker Ct Suite C | Phone: (866) 786-1117 | [www.beyondledtechnology.com](http://www.beyondledtechnology.com)

# LED Linear Fixtures

Value Series  
Indoor Lights

## Package

Model	Gross Weight	Qty/Carton	Carton Size
ALL	27 lbs	20	52" x 8" x 7.5"



## Notice For User

- Please turn off power before install or change assembly parts.
- The input voltage and lamps should be matched, after connecting the power line, Please make sure the wiring section is insulated
- Licensed Electrician Installation ONLY
- **DAISY-CHAIN NO MORE THAN 20W))**

Due to continuous product improvement, information in this document is subject to change.

Revision Date: 01/15/2019

1939 Parker Ct Suite C Stone Mountain, GA 30087 | Phone: (866) 786-1117 |

[www.beyondledtechnology.com](http://www.beyondledtechnology.com)