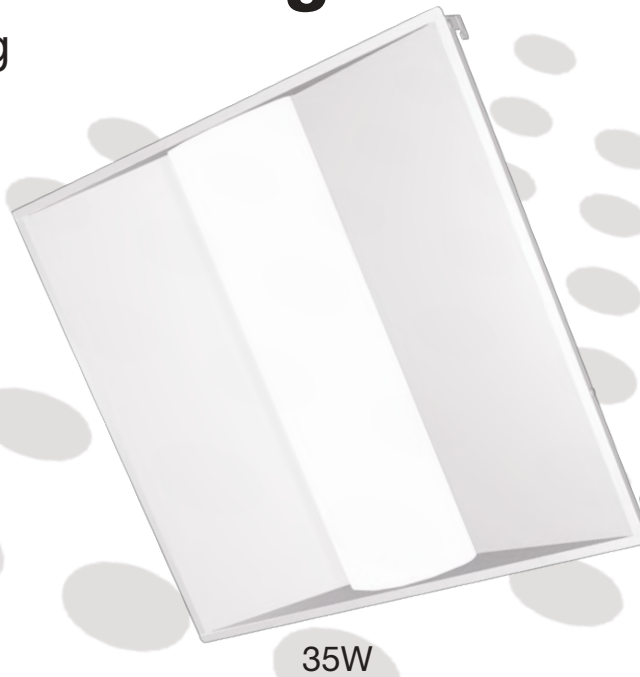


2' x 2' Troffer Lights

Indoor Lighting



New troffers that are perfect for retrofitting existing fluorescent troffer fixtures!

Features

- UL cUL DLC certificate
- LM-80 SMD chip, high CRI
- Up to 104 lumens per watt.
- Easy to install and operate.
- Steel, commercial quality paint coating.
- Central lens door enables convenience of PCBA's repalcing.

Advantage

- No UV or IR in the beam
- Easy to install and operate
- Energy saving, long lifespan
- Instant start, NO flickering, NO humming
- Green and eco-friendly without mercury
- Bigger size MCPCB for better thermal management, by separating heat dissipation to reduce the weight of the lamp heat sinking

Recommended Use

- Business Offices
- Department Stores
- Conference Rooms
- Home Basements

Input Voltage

- 100-277Vac

Qualification



2' x 2' Troffer Lights

Indoor Lighting

Product

LED 2' x 2' Troffer		
SKU #	150145	150146
MODEL #	BLT-TF22-DM-50P	BLT-TF22-DM-40P
COLOR TEMPERATURE	5000K	4000K

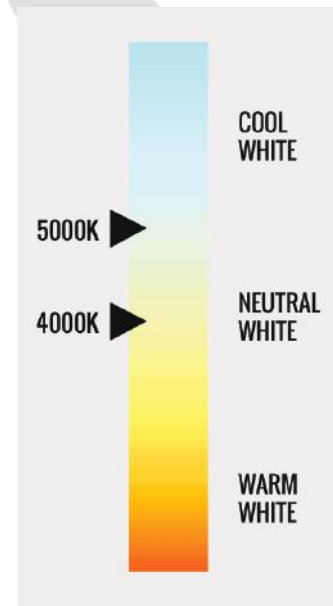
Specifications

LUMEN	4600LM
LUMEN EFFICACY	125LM/W
CONSUMPTION	35W
VIEWING ANGLE	120°
INPUT VOLTAGE	100-277Vac 50/60Hz
POWER FACTOR	>0.9
WATERPROOF RATING	IP20

Fixture Specifications

DRIVER TYPE	External
LED TYPE	SMD
HOUSING	Aluminum+PC diffuser
HOUSING COLOR	White

CORRELATED
COLOR TEMPERATURE
(CCT)



Others

OPERATING TEMPERATURE	APPLICATION	CRI	BEAM ANGLE	DIMMABLE
-4°F TO 104°F	Indoor	≥80	120°	Yes

Warranty & Qualification

WARRANTY	UL LISTED	DLC
5-Year Limited	Yes	Yes

Due to continuous product improvement, information in this document is subject to change.

Revision Date: 05/23/2017

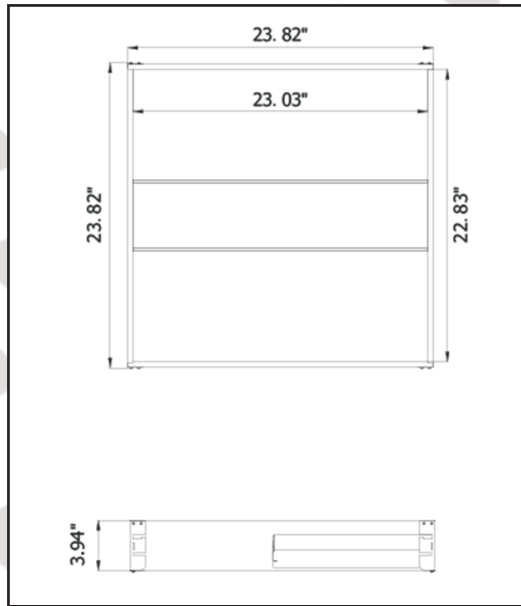
2725 Mountain Industrial Blvd. Suite A-5 | Phone: (866) 786-1117 | www.beyondledtechnology.com

 **BEYOND**[®]
LED TECHNOLOGY

2' x 2' Troffer Lights

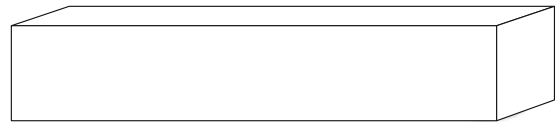
Indoor Lighting

Drawing



Package

Lamps Net Weight	Qty/Carton	Size	Weight/Carton
6.3 lbs	1 PCS	25.25" x 25.25" x 3.75"	9.14 lbs



Notice For User

- Please turn off power before install or change assembly parts.
- The input voltage and lamps should be matched, after connecting the power line, Please make sure the wiring section is insulated
- Licensed Electrician Installation ONLY.

Due to continuous product improvement, information in this document is subject to change.

Revision Date: 05/23/2017

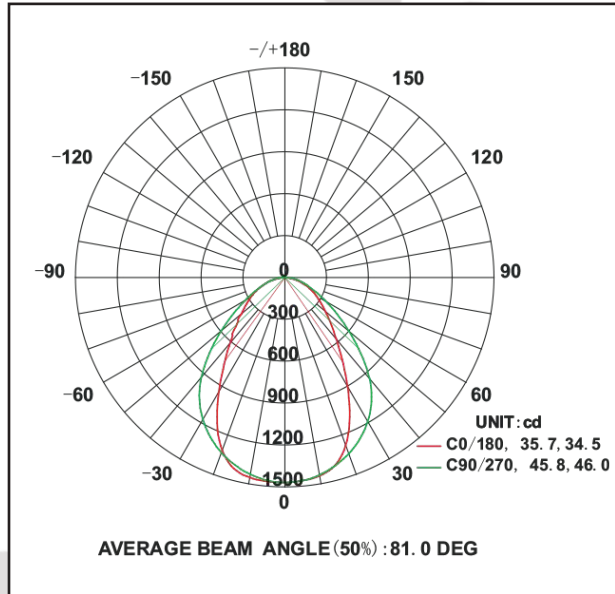
2725 Mountain Industrial Blvd. Suite A-5 | Phone: (866) 786-1117 | www.beyondledtechnology.com

2' x 2' Troffer Lights

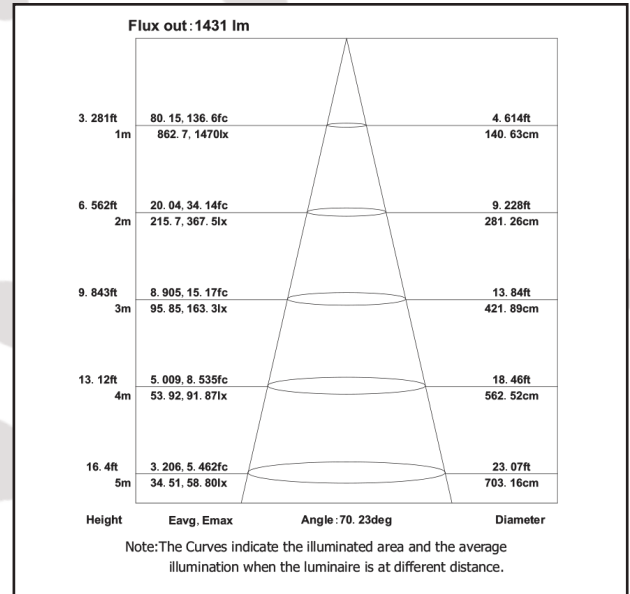
Indoor Lighting

Light Distribution Testing Parameters

Photometrics



Lux Chart



Zonal Flux Diagram

T	C0	C45	C90	C135	C180	C225	c270	c315
10	1441	1440	1436	1446	1454	1443	1431	1438
20	1279	1332	1342	1346	1318	1343	1333	1326
30	899.1	1056	1190	1076	948.7	1080	1176	1045
40	574.1	702.6	944.1	719.8	608.9	723.4	930.0	689.5
50	381.8	428.9	602.3	444.3	408.7	443.3	595.6	423.2
60	259.6	266.5	338.3	279.3	282.2	278.2	330.3	261.5
70	153.3	156.6	177.6	167.9	172.1	165.8	173.0	154.5
80	54.77	66.45	79.18	73.74	68.87	72.60	75.08	64.41
90	0	0.0014	0.0880	0.2290	0.4952	0	0	0
DEG	LUMINOUS INTENSITY:cd							

Due to continuous product improvement, information in this document is subject to change.

Revision Date: 05/23/2017

2725 Mountain Industrial Blvd. Suite A-5 | Phone: (866) 786-1117 | www.beyondledtechnology.com

