

Titan Series

Indoor Lighting



110W

Features

- Output constant current lever can be adjusted through output cable with 1-10V.
- Up to 135 lumens per watt.
- Various installation methods: Suspending Mounting, Ceiling Mounting and Free Parallel Combination.

Advantages

- No UV or IR in the beam.
- Easy to install and operate.
- Energy saving, long lifespan.
- Light is soft and uniform, safe to eyes.
- Instant start, NO flickering, NO humming.
- Green and eco-friendly without mercury.

Input Voltage

- 100-277Vac

Recommended Use

- Factories / Workshops / Warehouses
- Gymnasiums / Gas Stations
- Supermarkets
- Wide Open Areas



Titan Series

Indoor Lighting

LED LINEAR HIGH BAY LIGHTS

Titan Series Linear High Bay	
SKU #	150890
MODEL #	BLT-PHB03-110WRAC1
CONSUMPTION	110W
LUMENS	15200Lm

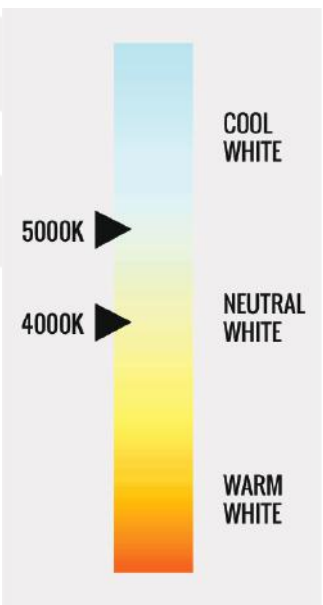
Specifications

CCT	5000K
POWER FACTOR	≥0.9
VIEWING ANGLE	120°
INPUT VOLTAGE	100 - 277Vac, 50/60Hz
THD	≤20%

Fixture Specifications

LED BRAND	EPISTAR
LED TYPE	SMD2835 (0.5W)
HOUSING	Aluminum
HOUSING COLOR	White
WATERPROOF RATING	Damp

CORRELATED
COLOR TEMPERATURE
(CCT)



Others

OPERATING TEMPRATURE	APPLICATION	CRI	DIMMABLE
-4°F TO 122°F	Indoor	>80	No

Warranty & Qualification

WARRANTY	UL LISTED	DLC
5 Year Limited	Yes	Yes

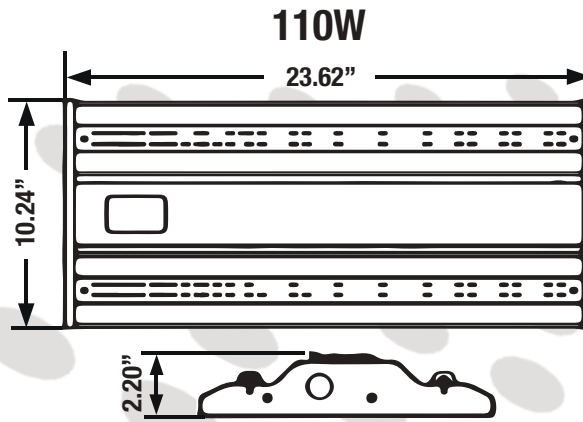
Due to continuous product improvement, information in this document is subject to change.
 Revision Date: 01/22/2019
 1939 Parker Ct Suite C Stone Mountain, GA 30087 | Phone: (866) 786-1117 |
www.beyondledtechnology.com



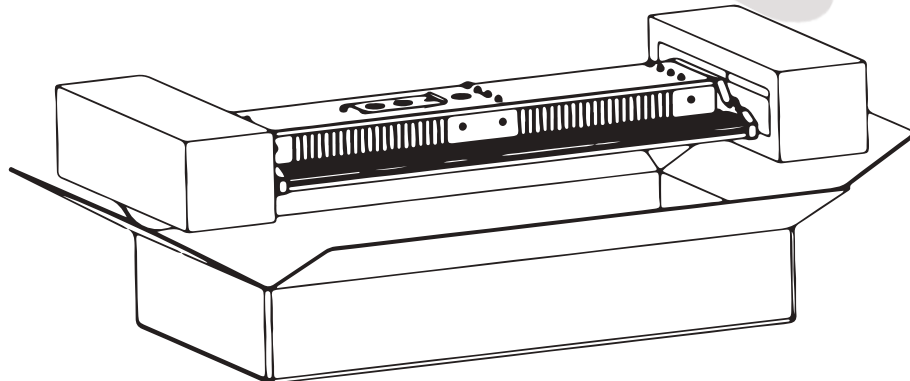
Titan Series

Indoor Lighting

Drawing



BOX TYPE	WATTAGE	SIZE	QTY / CARTON	WEIGHT / CARTON
Single Box	110W	25.59" x 12.01" x 3.74"	1	7.50 lbs



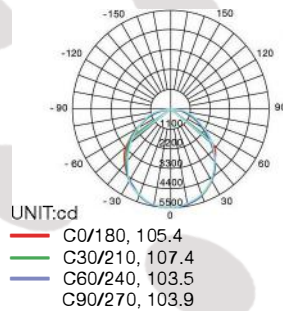
Due to continuous product improvement, information in this document is subject to change.
 Revision Date: 01/22/2019
 1939 Parker Ct Suite C Stone Mountain, GA 30087 | Phone: (866) 786-1117 |
www.beyondledtechnology.com

Titan Series

Indoor Lighting

Light Distribution Testing Parameters

110W AVERAGE BEAM ANGLE(50%): 116.1°



Titan Series Linear HighBay 110W		
Height	Average Lux (lx)	Light Range (dia.)
13.12ft	121.5	402.70in
16.40ft	77.78	503.38in
19.69ft	54.01	604.06in
26.25ft	30.38	805.41in
32.80ft	19.44	1006.76in

