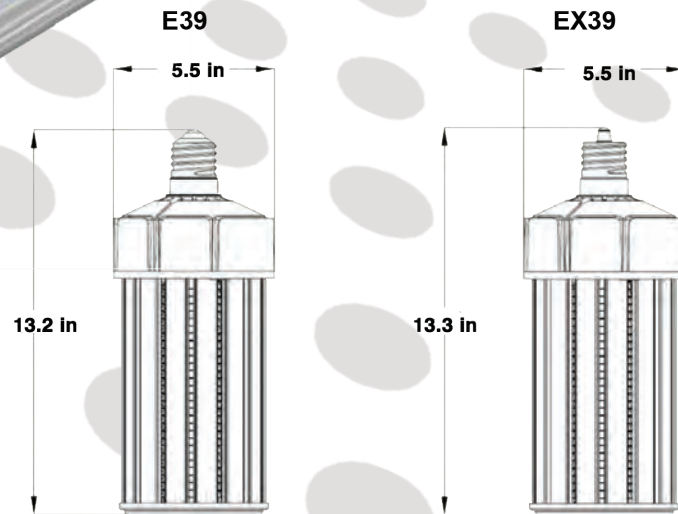


# HD FL Series

Indoor / Outdoor Lighting



200W



## Features

- Long lifespan and good heat dissipation.
- IP64 Waterproof Rating.
- Beam Angle: 360°
- High CRI
- Meets 4kV surge immunity level.
- No fixture to replace, easy installation.
- Includes Sonun fan.

## Input Voltage

- 100-277Vac 50/60Hz



## Advantages

- No lighting shadow, more luminance uniformity.
- Isolated aluminum heat sink for increased airflow.
- Suitable for totally enclosed fixtures.
- More than 15% LED compared with general corn bulb in market.

## Recommended Use

- Replacement lamps for High Bay Luminaires (UL Type B).



# HD FL Series

Indoor / Outdoor Lighting

HD FL Series Corn Bulbs	
SKU #	151013
MODEL #	BLT-CLW03-200WAC1-E-50K
CONSUMPTION	200W
LUMEN	26000lm

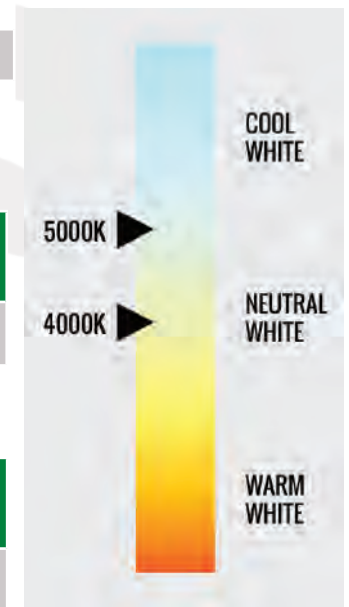
## Specifications

COLOR TEMPERATURE	5000K
VIEWING ANGLE	360°
INPUT VOLTAGE	VAC 100-277 50/60Hz
POWER FACTOR	>0.9
BASE TYPE	E39
WATERPROOF RATING	IP64
LIFESPAN	50,000hrs

## Fixture Specifications

LED TYPE	SMD2835
LED QUANTITY	608 PCS
HOUSING	PC + Aluminum
HOUSING COLOR	White

CORRELATED  
COLOR TEMPERATURE  
(CCT)



## Others

OPERATING TEMPRATURE	APPLICATION	CRI	BEAM ANGLE	DIMMABLE
-4°F TO 113°F	Indoor / Outdoor	>80	360°	No

## Warranty & Qualification

WARRANTY	UL LISTED	DLC
5 Year Limited	Yes	Yes

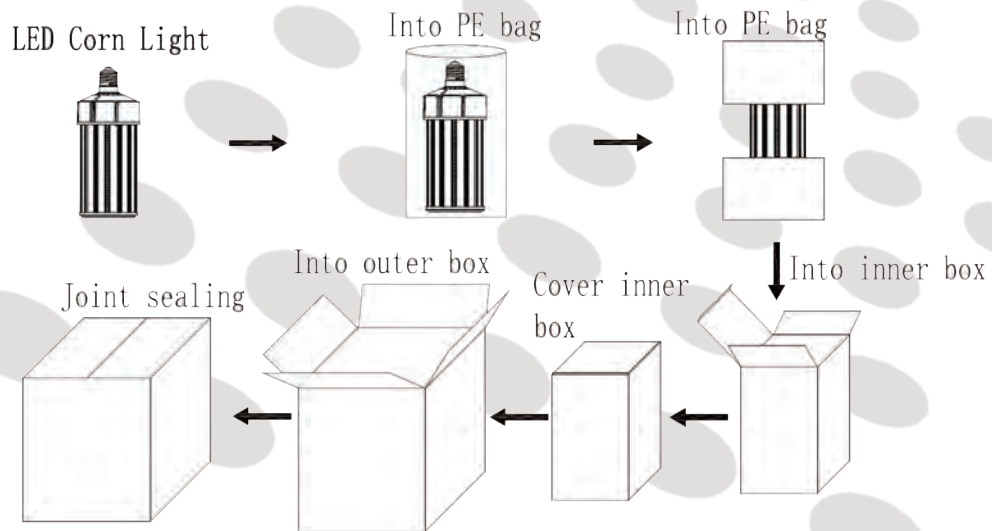
Due to continuous product improvement, information in this document is subject to change.  
 Revision Date: 12/04/2018  
 1939 Parker Court Suite C Stone Mountain, GA 30087 | Phone: (866) 786-1117 |  
[www.beyondledtechnology.com](http://www.beyondledtechnology.com)

# HD FL Series

## Indoor / Outdoor Lighting

### Package

BOX TYPE	SIZE	QTY / CARTON	WEIGHT / CARTON	GROSS WEIGHT / CARTON
Inner Box	14.8" x 6.5" x 6.5"	1 PC	3.5 lbs	4 lbs
Outer Box	20" x 13.6" x 15.6"	6 PCS	20.9 lbs	26 lbs



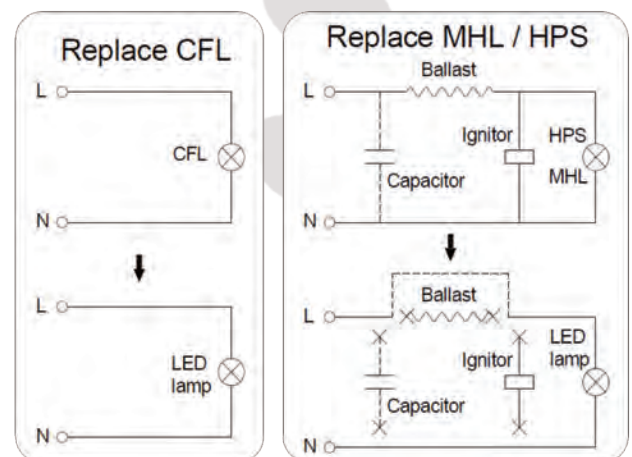
### Troubleshooting

- If the light flickers, turn off the power and turn it on again in 3 minutes. If this problem persists, please call agencies to assist.
- If item does not seem to be working, please recheck the connection.

### Notice for User

- Please turn off power before installation or changing assembly
- The input voltage and lamps should be matched. After connecting the power line, please make sure the wiring section is insulated.
- Make sure to remove or bypass the ballast in the fixtures before installing the lamps.
- Suitable for damp locations. Do not use with dimmers.
- Suitable for use in enclosed luminaires, min. lamp compartment dimensions: 19.7" x 11" x 11" Inches.
- Licensed electrician installation ONLY.

### Drawing



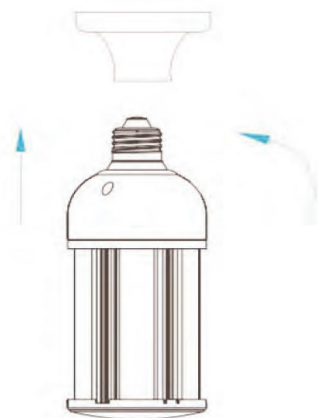
# HD FL Series

Indoor / Outdoor Lighting

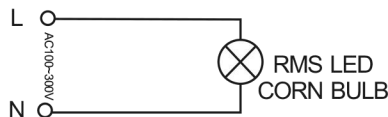
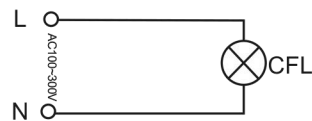
## Installation Guide

For safety, all power MUST be disconnected prior to removal of existing lamps and installation of LED Corn Bulb.

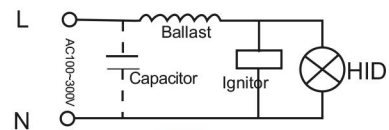
**WARNING:** Failure to disconnect power could result in serious injury or death. It is the end user's responsibility to consult a licensed electrician and check all local building codes before installation. Risk of fire. Fixtures are rated for use in 100-277Vac, 50-60HZ. Protected circuit and 90°C rated supply Risk of cut. The enclosed product may have sharp edges. Wear gloves to prevent cuts when handling, removing, installing, and maintaining.



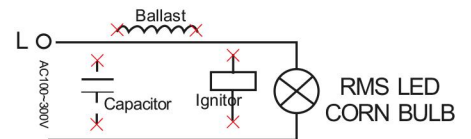
Replace CFL



Replace HID



Inductive Ballast



Due to continuous product improvement, information in this document is subject to change.

Revision Date: 01/16/2019

1939 Parker Ct Suite C Stone Mountain, GA 30087 | Phone: (866) 786-1117 |

[www.beyondledtechnology.com](http://www.beyondledtechnology.com)

# HD FL Series

Indoor / Outdoor Lighting

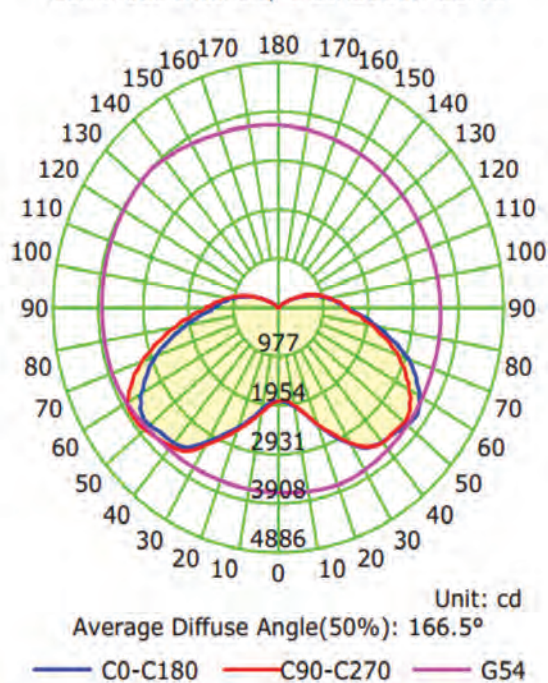
## Light Distribution Testing Parameters

Photometric Results			
<b>IES Classification</b>	Type IV	<b>Longitudinal Classification</b>	Very Short
<b>Total Rated Lamp Lumens</b>	21261.2 lm	<b>Measurement Flux</b>	21261.2 lm
<b>Efficiency</b>	100%	<b>Downward Ratio</b>	86%
<b>Upward Ratio</b>	14%	<b>Luminaire Efficacy Rating</b>	108.45
<b>Central Intensity</b>	1869.19 cd	<b>Max Intensity</b>	3908.88 cd
<b>Pos of Max Intensity</b>	H225 V54		

\* The testing data comes from the product in luminaires.

Luminaire Property			
<b>Voltage</b>	119.8 V	<b>Current</b>	1.6439 A
<b>Power</b>	196.04 W	<b>Power Factor</b>	0.9938

Luminous Intensity Distribution Curve



The Average Illuminance Effective Figure

