

V-Series Canopy

Outdoor Light



Features

- UL certificate
- High CRI
- IP65 driver, Input voltage 100-277Vac
- No UV or IR in the beam
- Easy to install and operate

Advantage

- Energy saving, Long lifespan
- Light is soft and uniform Safe to eyes
- Instant start NO flickering, NO humming
- Green and eco-friendly without mercury

Recommended Use

- Gas / Service Stations
- Underground Parking Lot
- Warehouse / Garage
- Work Floor / Factory

Input Voltage

- 100-277Vac 50/60Hz
- 480Vac Optional

Qualification



V Series Canopy

Outdoor Light

LED Canopy Light / V Series	
SKU #	151119
MODEL #	BLT-CP3-150WSSPAA1
CONSUMPTION	16700LM
LUMEN	150W

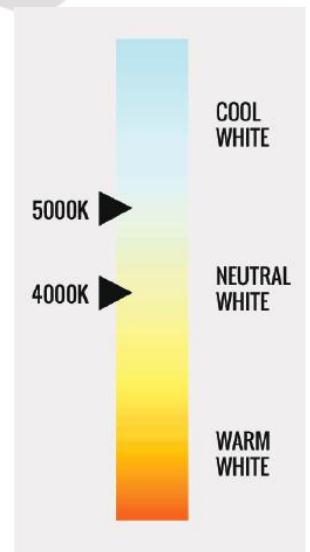
Specifications

COLOR TEMPERATURE	5700K
VIEWING ANGLE	110°
INPUT VOLTAGE	AC 100-277V, 50 - 60Hz
POWER FACTOR	>0.9
DRIVER MODEL	Mean Well Driver
CCT OPTIONS	4000K, 4500K, & 5700K
WATERPROOF RATING	IP 65

Fixture Specifications

LED TYPE	2835 (0.5W)
HOUSING	Aluminum
HOUSING COLOR	White

CORRELATED
COLOR TEMPERATURE
(CCT)



Others

OPERATING TEMPERATURE	APPLICATION	CRI	BEAM ANGLE	DIMMABLE
-4°F TO 113°C	Outdoor	>80	110°	No

Warranty & Qualification

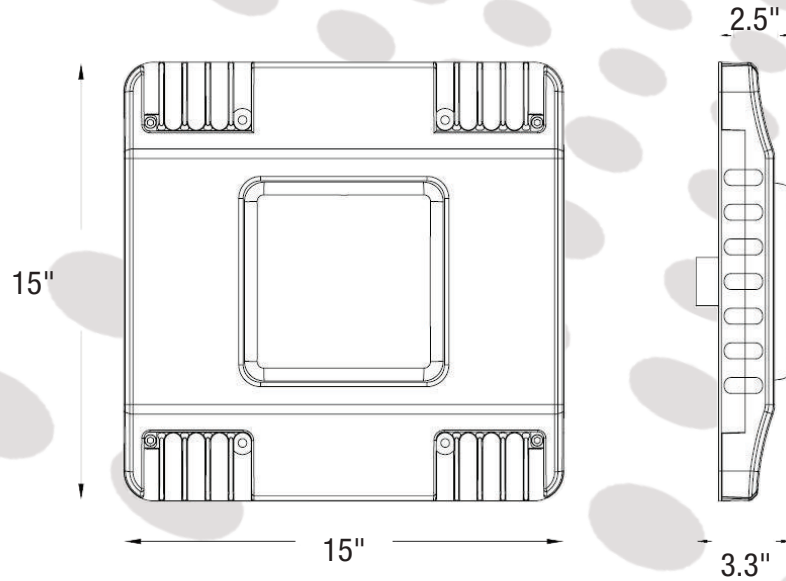
WARRANTY	UL LISTED	DLC
5-Year Limited	Yes	Yes

Due to continuous product improvement, information in this document is subject to change.
 Revision Date: 01/21/2019
 1939 Parker Ct Suite C Stone Mountain, GA 30087 | Phone: (866) 786-1117 |
www.beyondledtechnology.com

V Series Canopy

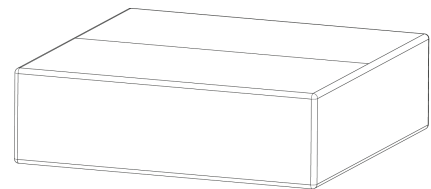
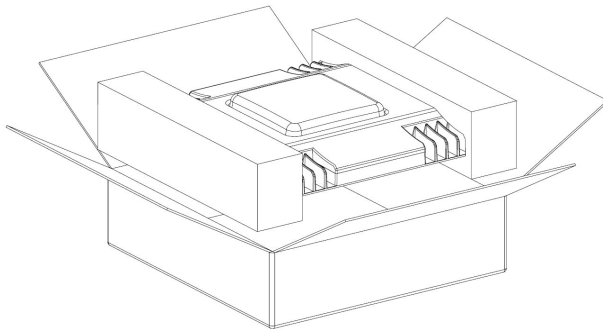
Outdoor Light

Drawing



Package

Lamps Net Weight	Size	Qty/Carton	Weight/Carton
13.6 lbs	16.7" x 16.5" x 4.7"	1	15.8 lbs



Notice For User

- Please turn off power before install or change assembly parts.
- The input voltage and lamps should be matched, after connecting the power line, Please make sure the wiring section is insulated
- Licensed Electrician Installation ONLY.

Due to continuous product improvement, information in this document is subject to change.

Revision Date: 01/22/2019

1939 Parker Ct Suite C Stone Mountain, GA 30087 | Phone: (866) 786-1117 |

www.beyondledtechnology.com

Canopy

Light Distribution Testing Parameters

DATA OF LAMP		PHOTOMETRIC DATA Eff: 109.55 lm/W			
MODEL	BLT-CP3-150WSSPAA1	Imax (cd)	5162	S/MH (C0/180)	1.36
NOMINAL POWER (W)	150	LOR (%)	100.0	S/MH (C90/270)	1.36
RATED VOLTAGE (V)	120	TOTAL FLUX (lm)	16060	η UP, DN (C0-180)	0.2, 50.2
NOMINAL FLUX (lm)	16059.6	CIE CLASS	DIRECT	η UP, DN (C180-360)	0.2, 49.4
LAMPS INSIDE	1	η up (%)	0.4	CIBSE SHR NOM	1.50
TEST VOLTAGE (V)	120.0	η down (%)	99.6	CIBSE SHR MAX	1.50

LED CANOPY LIGHT

