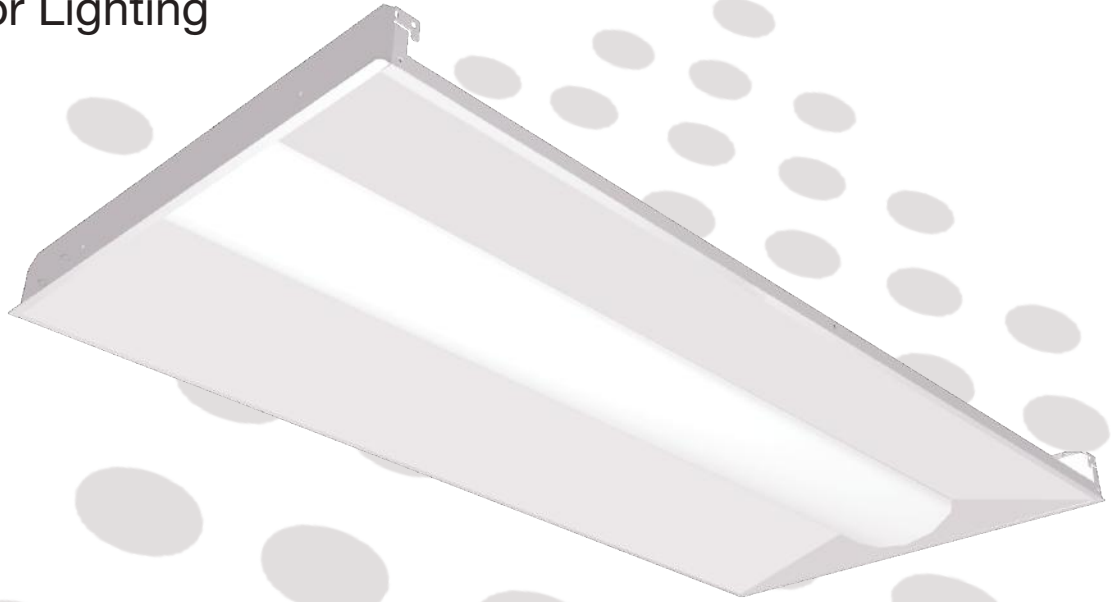


2' x 4' Troffer Lights

Indoor Lighting



48W

New troffers that are perfect for retrofitting existing fluorescent troffer fixtures!

Features

- UL cUL DLC certificate
- LM-80 SMD chip, high CRI
- Up to 106 lumens per watt.
- Easy to install and operate.
- Steel, commercial quality paint coating.
- Central lens door enables convenience of PCBA's repalcing.

Advantage

- No UV or IR in the beam
- Easy to install and operate
- Energy saving, long lifespan
- Instant start, NO flickering, NO humming
- Green and eco-friendly without mercury
- Bigger size MCPCB for better thermal management, by separating heat dissipation to reduce the weight of the lamp heat sinking

Recommended Use

- Business Offices
- Department Stores
- Conference Rooms
- Home Basements

Input Voltage

- 100-277Vac

Qualification



2' x 4' Troffer Lights

Indoor Lighting

Product

LED 2' x 4' Troffer			
SKU #	150827	150143	150144
MODEL #	BLT-24P-50W-6KD M	BLT-TF24-DM-50P	BLT-TF24-DM-40P
COLOR TEMPERATURE	6000K	5000K	4000K

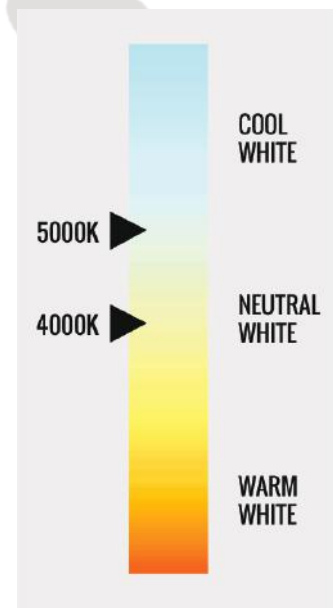
Specifications

LUMEN	6200LM
LUMEN EFFICACY	125LM/W
CONSUMPTION	48W
VIEWING ANGLE	120°
INPUT VOLTAGE	100-277Vac 50/60Hz
POWER FACTOR	>0.9
WATERPROOF RATING	IP20

Fixture Specifications

DRIVE TYPE	External
LED TYPE	SMD
HOUSING	Aluminum+PC diffuser
HOUSING COLOR	White

CORRELATED
COLOR TEMPERATURE
(CCT)



Others

OPERATING TEMPERATURE	APPLICATION	CRI	BEAM ANGLE	DIMMABLE
-4°F TO 104°F	indoor	≥80	120°	Yes

Warranty & Qualification

WARRANTY	UL LISTED	DLC
5-Year Limited	Yes	Yes Except 150827

Due to continuous product improvement, information in this document is subject to change.

Revision Date: 01/17/2019

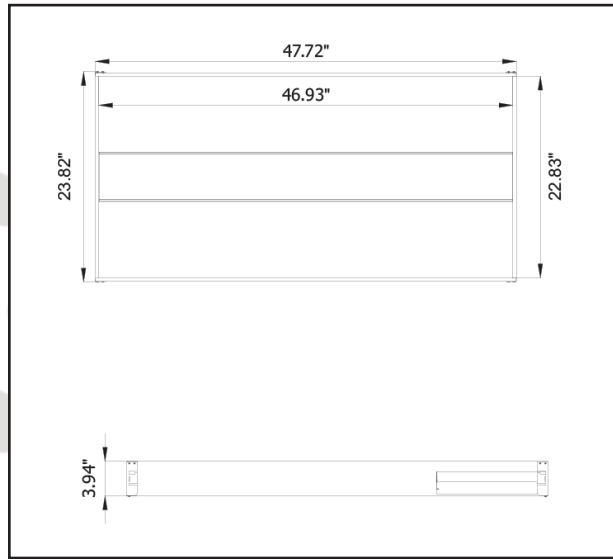
1939 Parker Ct Suite C | Phone: (866) 786-1117 | www.beyondledtechnology.com

 **BEYOND**[®]
LED TECHNOLOGY

2' x 4' Troffer Lights

Indoor Lighting

Drawing



Package

Lamps Net Weight	Qty/Carton	Size	Weight/Carton
10.6 lbs	1 PCS	48.75" x 25.5" x 4"	14.11 lbs



Notice For User

- Please turn off power before install or change assembly parts.
- The input voltage and lamps should be matched, after connecting the power line, Please make sure the wiring section is insulated
- Licensed Electrician Installation ONLY.

Due to continuous product improvement, information in this document is subject to change.

Revision Date: 01/17/2019

1939 Parker Ct Suite C Stone Mountain, GA 30087 | Phone: (866) 786-1117 |

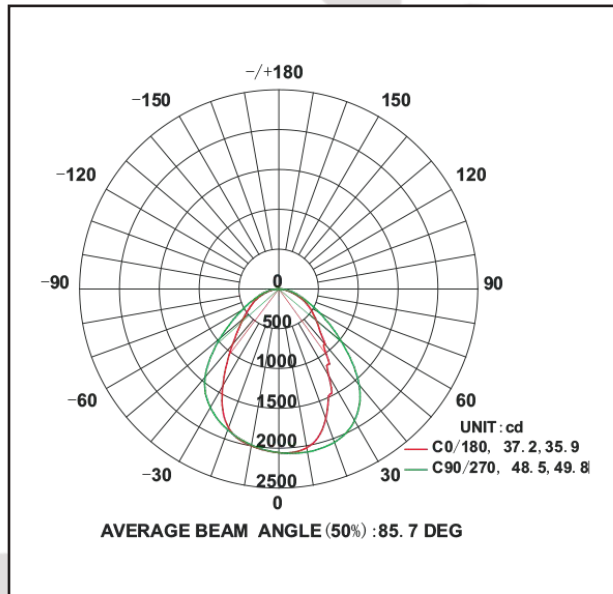
www.beyondledtechnology.com

2' x 4' Troffer Lights

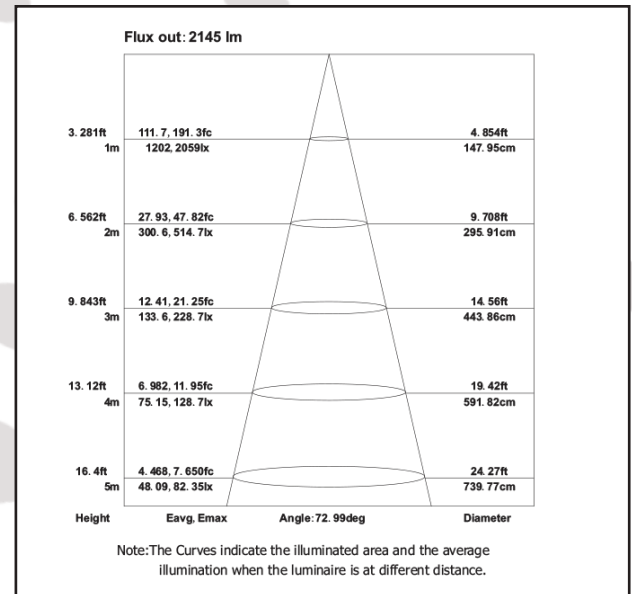
Indoor Lighting

Light Distribution Testing Parameters

Photometrics



Lux Chart



Zonal Flux Diagram

τ	C0	C45	C90	C135	C180	C225	c270	c315
10	2024	2066	2077	2023	2000	1982	1988	2008
20	1728	1919	2047	1918	1853	1862	1881	1812
30	1253	1527	1904	1627	1412	1582	1721	1402
40	906.8	1075	1571	1129	903.9	1113	1440	951.5
50	615.6	757.0	1026	687.9	585.8	699.4	963.6	643.5
60	432.2	469.7	583.4	420.4	394.3	448.9	542.5	403.9
70	251.3	281.0	302.9	247.6	237.4	269.1	286.5	241.4
80	81.09	113.5	136.1	109.0	86.01	117.0	126.5	96.08
90	0	0	0.2106	0.0372	0.0528	0.1171	0.1146	0
DEG	LUMINOUS INTENSITY:cd							